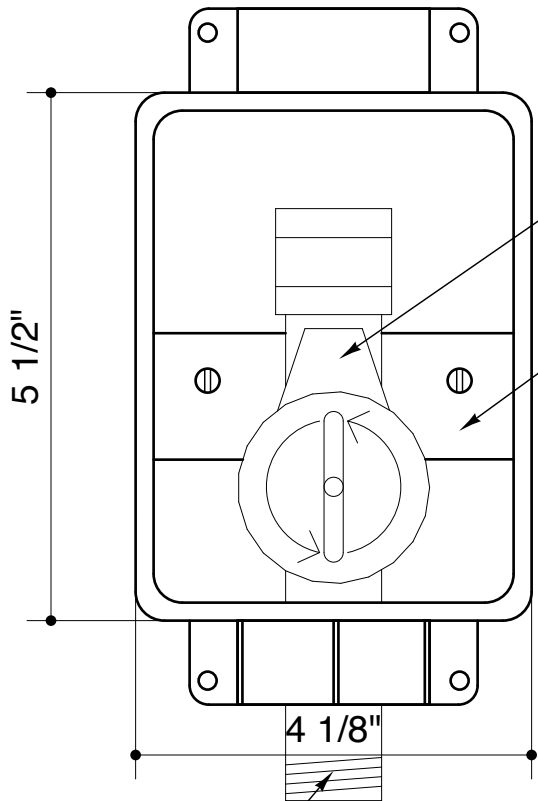
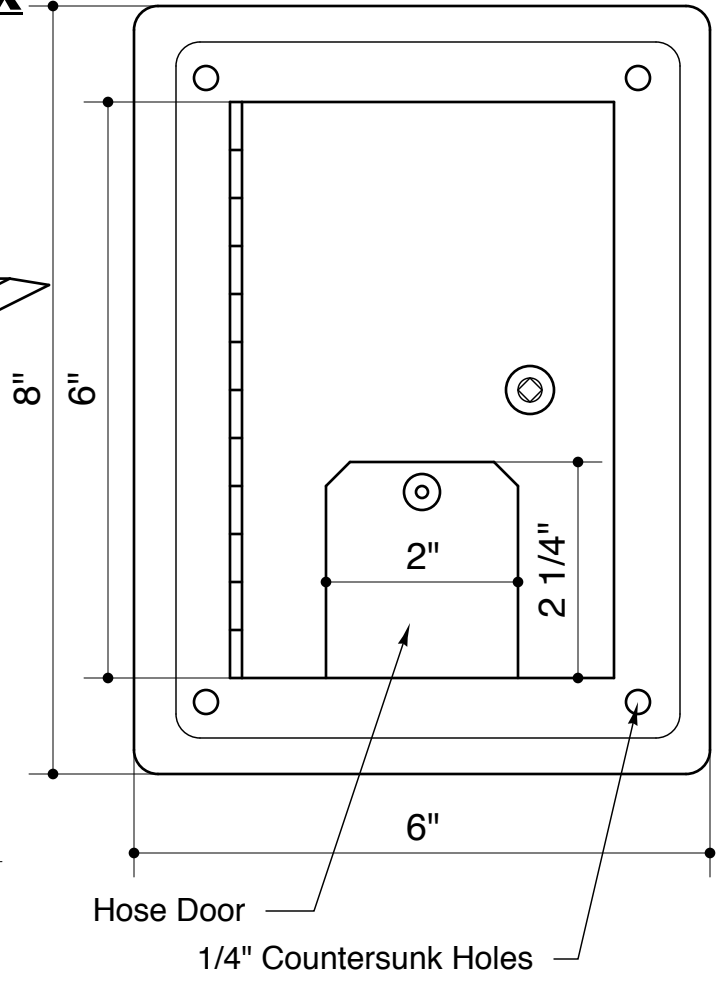


Concrete Deck Box G0101-CD

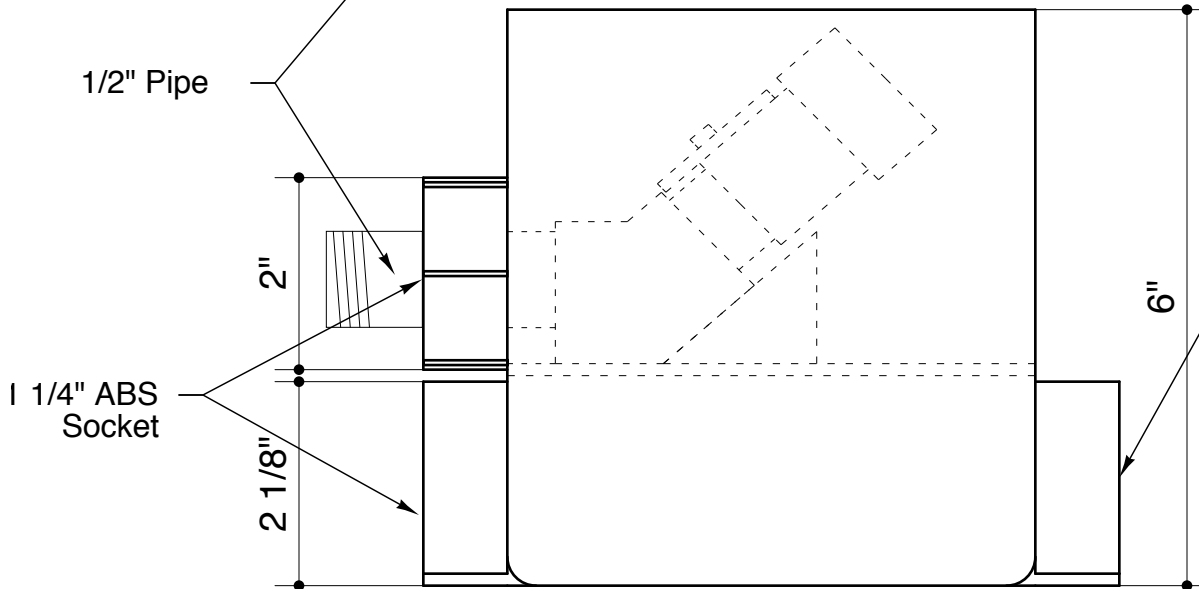
Plan View



Stainless Steel Door/Cover



Side Elevation



Elevation

